

---

# BLACKHAWK T-SERIES

BLACKHAWK® T-Series Accessories Instruction Guide

---





2645 INTERNATIONAL PKWY  
VIRGINIA BEACH, VA 23452

[BLACKHAWK.COM](http://BLACKHAWK.COM)

BLACKHAWK IS A REGISTERED TRADEMARK OF VISTA OUTDOOR INC. COPYRIGHT © 2020 BLACKHAWK | ALL RIGHTS RESERVED

**⚠ WARNING! READ AND UNDERSTAND THIS ENTIRE MANUAL BEFORE USE.** This manual contains important information about the proper assembly, fit, care and use of your T-Series Accessory. Failing to read or follow these instructions may result in serious injury or death. Store this manual in a safe place and review it periodically.

When using this holster, always follow these precautions:

- Do not place a loaded firearm into the holster without first testing the holster for proper fit as set forth in this manual.
- Keep your index finger straight and off the trigger until ready to shoot.
- Use this holster only with the specific firearm for which it is designed. Use of a firearm other than the one specified may greatly increase the likelihood of an unintentional discharge or the defeat of the retention characteristics.
- Avoid wearing clothing or jackets with drawstrings clips or any feature that may enter the trigger guard

during holstering as such items may greatly increase the likelihood of an unintentional discharge.

- Do not use with firearms that have been modified or fitted with aftermarket accessories that affect the safe performance of your firearm with the holster.
- If equipped, always carry the firearm with any manual safeties engaged.
- Never carry any gun with a round in the chamber or in a cocked position unless you are trained to do so and the gun is designed to be carried this way.
- Do not attempt to repair or modify the holster in any way. Unauthorized repairs or modifications can affect the safe performance of your holster and will void your warranty.
- User should always practice to proficiency before using any holster, particularly retention holsters.
- Store this manual in a safe place and review it periodically. If you misplace this manual, contact BLACKHAWK or visit us online at BLACKHAWK.COM for a replacement.



# TABLE OF CONTENTS

<b>SECTION 1</b>	
INSTALLING A BELT LOOP OR PLATFORM TO A T-SERIES HOLSTER	06
<b>SECTION 2</b>	
CONFIGURING AND MOUNTING	07
<b>SECTION 2.1</b>	
2-SLOT BELT LOOP	07
<b>SECTION 2.2</b>	
Q.D.R. BELT LOOP	07
<b>SECTION 2.3</b>	
JACKET SLOT BELT LOOP	09
<b>SECTION 2.4</b>	
JACKET SLOT LEG STRAP ADAPTER	11
<b>SECTION 2.5</b>	
MICRO LEG PLATFORM	12
<b>SECTION 2.6</b>	
QUICK DETACH SYSTEM & MOLLE ADAPTER	15
<b>SECTION 3</b>	
CARE INSTRUCTIONS	21
<b>SECTION 4</b>	
WARRANTY INFORMATION	22


## SECTION 1

### INSTALLING A BELT LOOP OR PLATFORM TO A T-SERIES HOLSTER


---


Use the following steps to install a T-Series belt loop or platform to your T-Series holster.

1. Begin by removing the factory installed screws that hold the factory installed belt loop or platform to the holster using a hand screwdriver. Remove the belt loop or platform from the holster.
2. Using the belt loop or platform you intend to install, align the holster mounting inserts on the back side of holster with desired holes on mounting platform to achieve the desired cant position. Firmly hand-tighten all three mounting screws with hand screwdriver or with torque screwdriver set to 18 inch-lbs. **DO NOT OVERTIGHTEN.**
3. Routinely check mounting screws for loosening and tighten if necessary.

 **WARNING** Never use a T-Series Holster with aftermarket attachment platforms. Use with

incompatible, modified, or improperly installed platforms can affect the proper functioning and retention properties of the holster.

 **WARNING** Do not use holster if a mounting screw is missing. Using with less than all three screws can weaken the holster's retention properties. Only use BLACKHAWK approved/supplied screws.

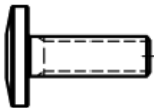
 **WARNING** In addition to ensuring no foreign materials interfere with the safe holstering and drawing of your firearm and functioning of your holster, make sure extra attention is made to keep loose clothing away from the inboard thumb mechanism and adequate clearance is kept at all times. Failure to do so may result in the loss of the holster's retention and potential injury or death.

**NOTE:** Do not tighten mounting screws with a power tool or otherwise apply excessive force. Doing so can damage your holster.

#### **BLACKHAWK'S DUTY HOLSTER SPACER KIT:**

To compensate for bulky body armor or varied hip-to-waist contours, BLACKHAWK's Duty Holster Spacer Kit allows you to alter the amount of angle and distance

away from your body. NOTE: Do not use longer spacer kit mounting screws without the spacer. Doing so can damage your holster.



Spacer Kit Mounting Screw  
(Shown actual size)



Standard Mounting Screw  
(Shown actual size)

## SECTION 2

### CONFIGURING AND MOUNTING

---

#### SECTION 2.1

##### 2-SLOT BELT LOOP

Use your T-Series™ holster only with a durable and well-maintained belt specifically designed for carrying a firearm and holster. Officers should use a belt

specifically designed for duty use. The 2-Slot Belt Loop is designed to accommodate belts 1" to 1 ¾" wide.

Follow these steps to mount your 2-Slot belt loop to a belt.

1. Ensure the 2-Slot belt loop is properly installed on the holster as described in Section 1.
2. Start the free end of your belt through one side loop of the platform and pull through at least a few inches, then continue to guide the free end through opposite side loop. Slide to desired location on belt.
3. Ensure top of belt is seated firmly against the upper inside edges of belt channel.

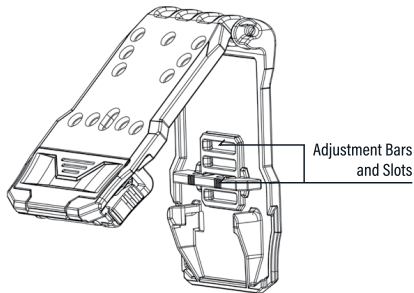
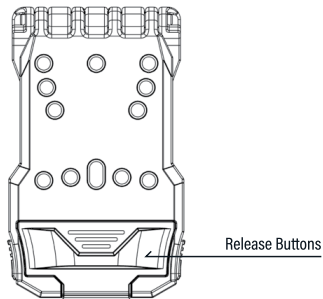
#### SECTION 2.2

##### Q.D.R. BELT LOOP

Use your T-Series™ holster only with a durable and well-maintained belt specifically designed for carrying a firearm and holster. Officers should use a belt specifically designed for duty use. The Quick Dual Release (QDR) is designed to accommodate belts 1 ½" to 2 ¼" wide.

## SECTION 2.2 Q.D.R. BELT LOOP continued

1. To open the QDR Belt Loop by locating the two release buttons on the lower section of the platform. These buttons have a compound travel requiring them to rotate first and then slide inward. Applying pressure on the textured/grooved end of each button will allow a smooth and ergonomic release while maintaining the highest level of security against unintentional activation.
2. Simultaneously squeeze both release buttons inward and rotate the two platform halves to the open position.
3. Ensure the QDR belt loop is properly installed on the holster as described in Section 1.
4. Place the belt against the half that has the Adjustment Bar. Ensure the top of the belt is seated firmly against inner surface of upper pivot and take note of the Adjustment Bar location.
5. The Adjustment Bar should be placed as close as possible to the belt edge (opposite of edge contacting the pivot) based on  $\frac{1}{4}$ " incremental slot positions. This may include removing and storing the Bar separately if using  $2\frac{1}{4}$ " width belt. Ensure the belt does not sit on top of the Adjustment Bar, as it will not allow the platform to close.





6. To remove the Adjustment Bar, squeeze the two exposed tabs on the backside of the platform. This can be accomplished with a small tool such as a screwdriver, coin, or similar tool by pushing inward and down. It is possible to pop out one side at a time.
7. Final mounting to the belt can be conducted with the belt on or off the body. If the belt is already being worn, slightly loosen the belt to create an inch or two of separation between body and belt and slide the open end of platform down between your body and belt.
8. Close platform and ensure both locking buttons have fully returned to the locked position.

## **SECTION 2.3**

### **JACKET SLOT OR MID-RIDE BELT LOOP**

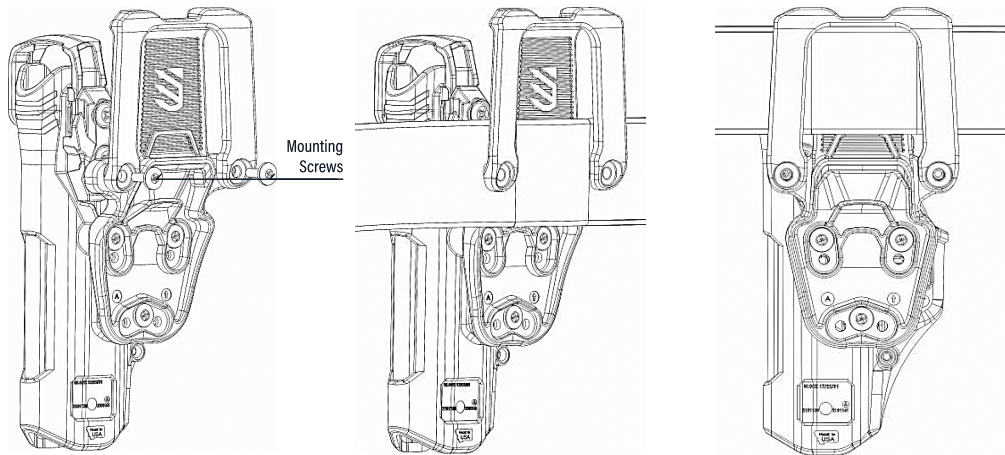
Use your T-Series™ Holster only with a durable and well-maintained belt specifically designed for carrying a firearm and holster. Officers should use a belt specifically designed for duty use. The mid-ride can accommodate duty belts up to 2 ¼" wide and jacket slot belt loop can accommodate duty belts up to 2 ½"

wide. To mount your Jacket Slot or Mid-Ride Belt Loop to a duty belt, follow these steps:

#### **MOUNTING OPTION 1: OVER TOP OF BELT (APPLIES TO JACKET SLOT AND MID-RIDE)**

1. Ensure the belt loop is properly installed on the holster as described in Section 1.
2. Remove belt mounting screws completely as shown below.
3. Spread the two straps of the belt loop open and slide over duty belt at desired location.
4. Push all the way down until top of duty belt is seated firmly against upper inside radius of belt channel.
5. Hand-tighten screws evenly and firmly. **DO NOT OVERTIGHTEN.** If using torque screwdriver, tighten using setting of 12 inch-lbs.
6. Push and pull on holster to make sure it does not move when on a duty belt.

SECTION 2.3 JACKET SLOT OR MID-RIDE BELT LOOP continued



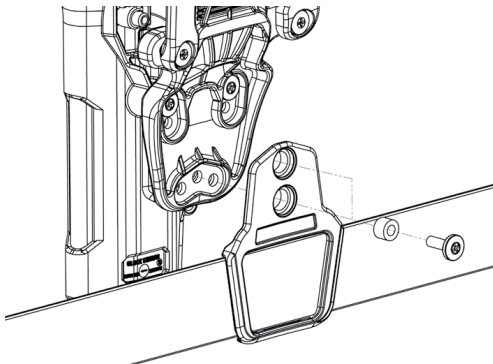
## MOUNTING OPTION 2: WEAVING ON THE BELT (APPLIES TO JACKET SLOT ONLY)

1. Ensure the belt loop is properly installed on the holster as described in Section 1.
2. If necessary, loosen both belt mounting screws enough to allow the belt to slide between platform straps and main body.
3. Start free end of the belt through one side loop of the platform and pull through at least a few inches, then continue to guide the free end through the opposite side loop. Slide to desired location on belt.
4. Ensure the top of the belt is seated firmly against the upper inside radius of belt channel. Reference picture 3 in Mounting Option 1.
5. Hand-tighten screws evenly and firmly. **DO NOT OVERTIGHTEN.** If using a torque screwdriver, tighten to 12 inch-lbs.

## SECTION 2.4 JACKET SLOT LEG STRAP ADAPTER

To install, first ensure that you are using the T-Series Jacket Slot Belt Loop. The Leg Strap Adapter is not intended to be used with any other platform. Then, continue the installation as follows:

1. Remove the lower screw from the T-Series Jacket Slot.



## SECTION 2.4 JACKET SLOT LEG STRAP ADAPTER continued

2. Insert the spacer into the Leg Strap Adapter in one of the two holes depending on your ride height preference.
3. Install to the holster and T-Series Jacket Slot using the included .563" long screw as shown.
4. Hand-tighten the screw. **DO NOT OVER TIGHTEN.** If using a torque screwdriver, tighten to 18 inch-lbs.
5. Confirm that the Leg Strap Adapter can pivot around the spacer.
6. See 2.3 for installation options of Jacket Slot Belt Loop to your Belt. Once attached, connect the leg strap around your leg and adjust the leg strap to desired tightness.

## SECTION 2.5 MICRO LEG PLATFORM

Use your T-Series™ Holster only with a durable and well-maintained belt specifically designed for tactical or duty use. To mount your micro leg platform to a belt, follow these steps:

1. Ensure the platform is properly installed on the holster as described in Section 1.
2. If the ride height from the factory is adequate, you may feed your belt through the loop in the upper section of the belt attachment strap. Otherwise, proceed to the next step to configure the belt attachment strap.
3. The belt attachment strap of your platform comes from the factory with two hook and loop keepers installed, one on the upper portion of the strap and one on the lower portion. Take note of how they are installed, then remove them from the belt attachment strap by unwrapping them.
4. Disengage the hook and loop section on the lower end of the belt attachment strap on the back side of the platform. Loosen the strap through the opening in the platform if needed and feed your belt through the loop in the upper section.
5. Adjust the strap as needed until the platform is at your desired ride height. Reengage the hook and loop section on the lower end of the belt attachment strap.

Lower Ride Height

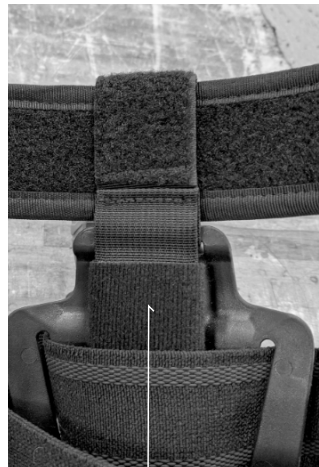


Upper  
Keeper

Highest Ride Height



Highest Ride Height - Back Side



Lower  
Keeper

## SECTION 2.5 MICRO LEG PLATFORM continued

- For the highest ride height, the lower edge of the belt should line up with the top portion of the platform as shown.
  - For the lowest ride height, the lower edge of the belt should be no further than 4" from the platform as shown.
6. If there is enough room between the belt and the platform, reinstall the upper keeper to the belt attachment strap by wrapping it around the strap. Install the keeper as close to the belt as possible.
  7. Reinstall the lower keeper to the lower section of the belt attachment strap on the backside of the platform. Install it as high as possible on the lower section. Make sure the lower section of the belt attachment strap is positioned between the back side of the platform and the elastic leg strap.
  8. If you chose to configure your platform for a high ride height, you may find that there is excess hook hanging down from the lower section of the strap on the backside. BLACKHAWK has provided three additional cross stitches in this area at 2" intervals.

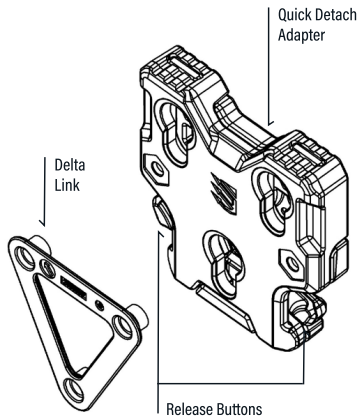
If you choose to trim the strap, trim below one of these cross stitches.

- Do not trim where hook and loop are engaged with each other.
  - Do not trim the loop side of the tail section.
9. Once attached to the belt, connect the leg strap around your leg and adjust the leg strap to desired tightness.

## SECTION 2.6

### QUICK DETACH SYSTEM

#### PARTS AND NOMENCLATURE



8-32 x .375 Phillips Screw x3



10-32 x .3125 Phillips Screw x3

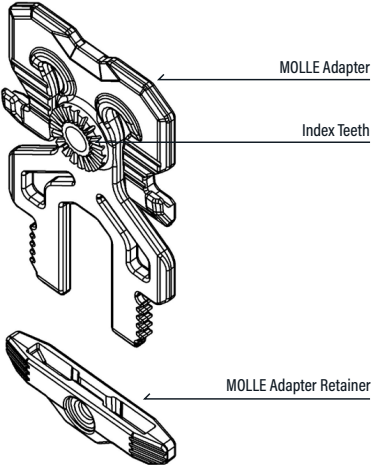


10-32 x .375 Phillips Screw x3



10-32 Hex Insert x3

PARTS AND NOMENCLATURE - OPTIONAL MOLLE ADAPTER



- 1/4-20 x .375 Phillips Screw x1
- 8-32 Knurled Insert x1
- 8-32 x .187 Phillips Screw x1



## INSTALLING THE DELTA LINK TO THE HOLSTER

When mounting the Delta Link to a holster or other accessory:

1. Align the Delta Link with the 3 hole pattern of the holster with the flush side facing the holster. The metal threaded posts should nest into the back of the Delta Link.
2. Firmly hand-tighten all three 10-32 x .375 Phillips mount screws with a hand screw driver or with a torque screw driver set to 18 inch-lbs. **DO NOT OVERTIGHTEN.**
  - Use the 8-32 x .375 mount screws when installing on legacy Blackhawk holsters that use 8-32 threaded inserts.
3. Routinely check mounting screws for loosening and tighten if necessary

## INSTALLING THE QUICK DETACH ADAPTER TO A PLATFORM

When mounting your Quick Detach Adapter to the

desired duty platform:

1. Utilize the existing cant options on the platform to orient the assembly as needed.
2. Align the 10-32 Hex Inserts with the 3 holes on the adapter and through the respective holes on the platform to achieve the desired position. Use the 10-32 x .3125 Phillips screws provided to secure the adapter to the platform. Firmly hand-tighten all three mounting screws with a hand screw driver or with a torque screw driver set to 18 inch-lbs. **DO NOT OVERTIGHTEN.**
3. Routinely check mounting screws for loosening and tighten if necessary.

**NOTE:** Do not tighten mounting screws with a power tool or otherwise apply excessive force. Doing so can damage your holster or platform.

## INSTALLING THE QUICK DETACH ADAPTER TO THE MOLLE ADAPTER

The T-Series QD Adapter can be configured with the optional MOLLE Adapter to mount the system to

## SECTION 2.6 QUICK DETACH SYSTEM continued

webbing platforms. To install the MOLLE Adapter to the Quick Detach Adapter:

1. Align the Quick Detach Adapter index teeth with the respective pivot boss on the MOLLE Adapter at the desired cant position.
2. Install the 1/4-20 x .375 Phillips Screw as shown above and firmly hand tighten the screw to secure the adapter assembly together. **DO NOT OVERTIGHTEN.**

### MOUNTING THE MOLLE ADAPTER TO WEBBING

When mounting the MOLLE Adapter to MOLLE platforms:

- Align the leading edge of the MOLLE Adapter tabs with the desired position on the webbing. (see image, MOLLE Adapter shown without T-Series QD installed for clarity)
- Slide tabs through webbing slots. Ensure the hooks are engaged on the upper tabs as shown in image.
- Position the MOLLE Adapter Retainer on the lower tabs and until flush with lower webbing edge. Place

the 8-32 Knurled Insert on the Inboard side of MOLLE Adapter Retainer and firmly hand tighten the 8-32 x .187 Phillips Screw to secure the retainer in place. (see image) **DO NOT OVERTIGHTEN.**

### QUICK DETACH SYSTEM USE INSTRUCTIONS:

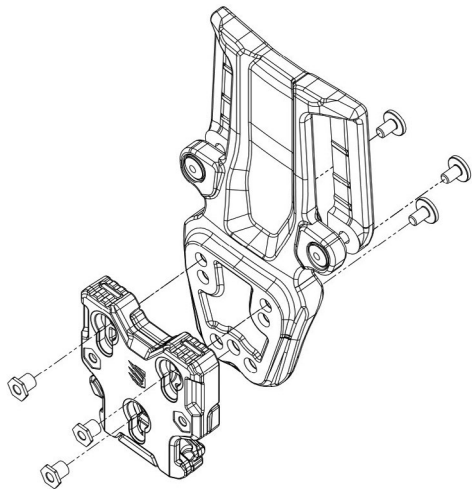
The Delta Link fitted to a holster or accessory can be quickly installed to the Quick Detach Adapter. When installing the Delta Link to the Adapter:

- Align the screw heads with the recessed slots on the T-Series QD Adapter. Insert all 3 heads into the Adapter and firmly slide the Holster/Accessory down until the lock "clicks." Ensure both release buttons return to the lower and locked position.

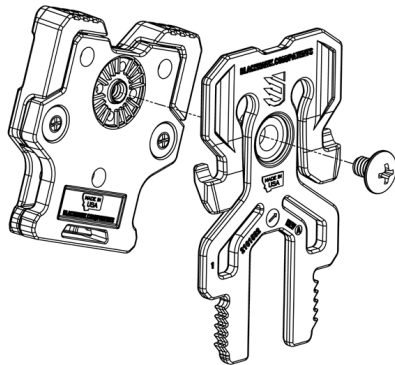
When removing the Delta Link from the Adapter:

- Simultaneously push the release buttons up until completely depressed. Use freehand to firmly pull up on Holster/Accessory and pull screw heads free of Adapter slots.

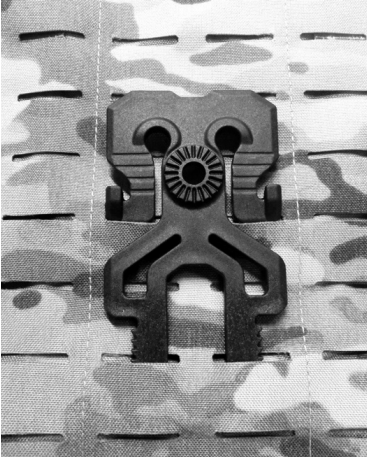
Quick Detach to Platform:



Quick Detach to MOLLE Adapter:



SECTION 2.6 QUICK DETACH SYSTEM continued



## SECTION 3

### CARE INSTRUCTIONS

---

**⚠ WARNING!** Failure to routinely inspect, test and care for your T-Series Accessory may prevent your firearm from being properly deployed and/or defeat retention characteristics. It is critical to strictly follow these care instructions. Failing to follow these instructions may result in serious injury or death.

### SECTION 3.1

#### INSPECTING YOUR T-SERIES ACCESSORY

Your T-Series Accessory's functionality and retention properties will diminish as it ages and is used. Therefore, you should test and inspect frequently (at least monthly) and each time before use.

Perform the following during inspection:

1. Look for cracking, deformation, missing parts, and excessive wear.

2. Adjust the passive retention screws as necessary, where applicable.
3. Ensure that all other screws are securely tightened and replace missing screws immediately.
4. Ensure the holster and all retention mechanisms are free from dirt and other debris.
5. Check the functionality for proper fit, holstering, retention, release, and drawing where applicable.

**⚠ WARNING!** Do not use holster if a mounting screw is missing. Using with less than all three screws can weaken holster's retention properties. Only use BLACKHAWK approved/supplied screws.

### SECTION 3.2

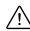
#### CLEANING/DECONTAMINATING

1. Routinely clean your holster or accessory with warm soapy water, rinse with fresh water, and air dry.
2. Decontaminate with a 10% solution of household bleach in fresh water.

3. Do not use any harsh, abrasive, caustic solutions, or petroleum derivatives on your holster or accessory.

## **SECTION 3.3**

### **STORING YOUR HOLSTER AND ACCESSORIES**

 **WARNING!** This is a retention holster, not a storage device. This holster is not designed to keep firearms away from children or other unauthorized persons during storage. When not in use, always keep guns locked and safely secured according to applicable local, state, and federal laws. Failing to follow these instructions may result in serious injury or death.

Store your holster indoors at room temperature. Do not expose to excessive temperature, sunlight, or humidity for extended periods of time. Improper storage can lead to premature degradation of holster performance.

## **SECTION 4**

### **ONE YEAR LIMITED WARRANTY**

---

BLACKHAWK® warrants your holster to be free from defect in materials and workmanship for a period of 12 months from the date of sale. This warranty does not cover product or parts damaged or rendered defective due to accident, intentional damage, misuse, abuse, modification, neglect, normal wear and tear, improper storage, improper or unauthorized repair, use with incompatible firearms, modified firearms or firearms equipped with aftermarket accessories, or the failure to follow BLACKHAWK® warnings or care, use, maintenance, storage, or handling instructions. All warranty claims must be made within 60 days of the occurrence of the defect and must be accompanied by proof of purchase. To make a warranty claim, call our Customer Service Department at 1-406-284-3840 and follow the instructions on returning the product. In the event a product contains a defect covered by this warranty, BLACKHAWK® will, at its sole option, repair, replace, or refund the purchase price of any aspect of

the product that does not comply with this warranty at our expense. ANY WARRANTIES IMPLIED BY LAW SHALL IN NO EVENT EXTEND BEYOND DURATION OF THIS EXPRESS WARRANTY. Some states do not allow limitations on how long an implied warranty lasts, so the above limitation may not apply to you. REPAIR OR REPLACEMENT AS PROVIDED HEREIN IS YOUR EXCLUSIVE REMEDY FOR ANY DEFECTIVE PRODUCT. IN NO EVENT SHALL WE BE LIABLE FOR ANY SPECIAL, INCIDENTAL, OR CONSEQUENTIAL DAMAGES OF ANY KIND ARISING OUT OF THE PURCHASE OR USE OF THIS PRODUCT, WHETHER BASED UPON CONTRACT, TORT, STATUTE, OR OTHERWISE. Some states do not allow the exclusion or limitation of incidental or consequential damages, so the above limitation or exclusion may not apply to you. This warranty gives you specific legal rights, and you may also have other rights which vary from state to state.

**CONTACT US:**

2645 INTERNATIONAL PKWY  
VIRGINIA BEACH, VA 23452  
1-406-284-3840

TS@BLACKHAWK.COM  
BLACKHAWK.COM

